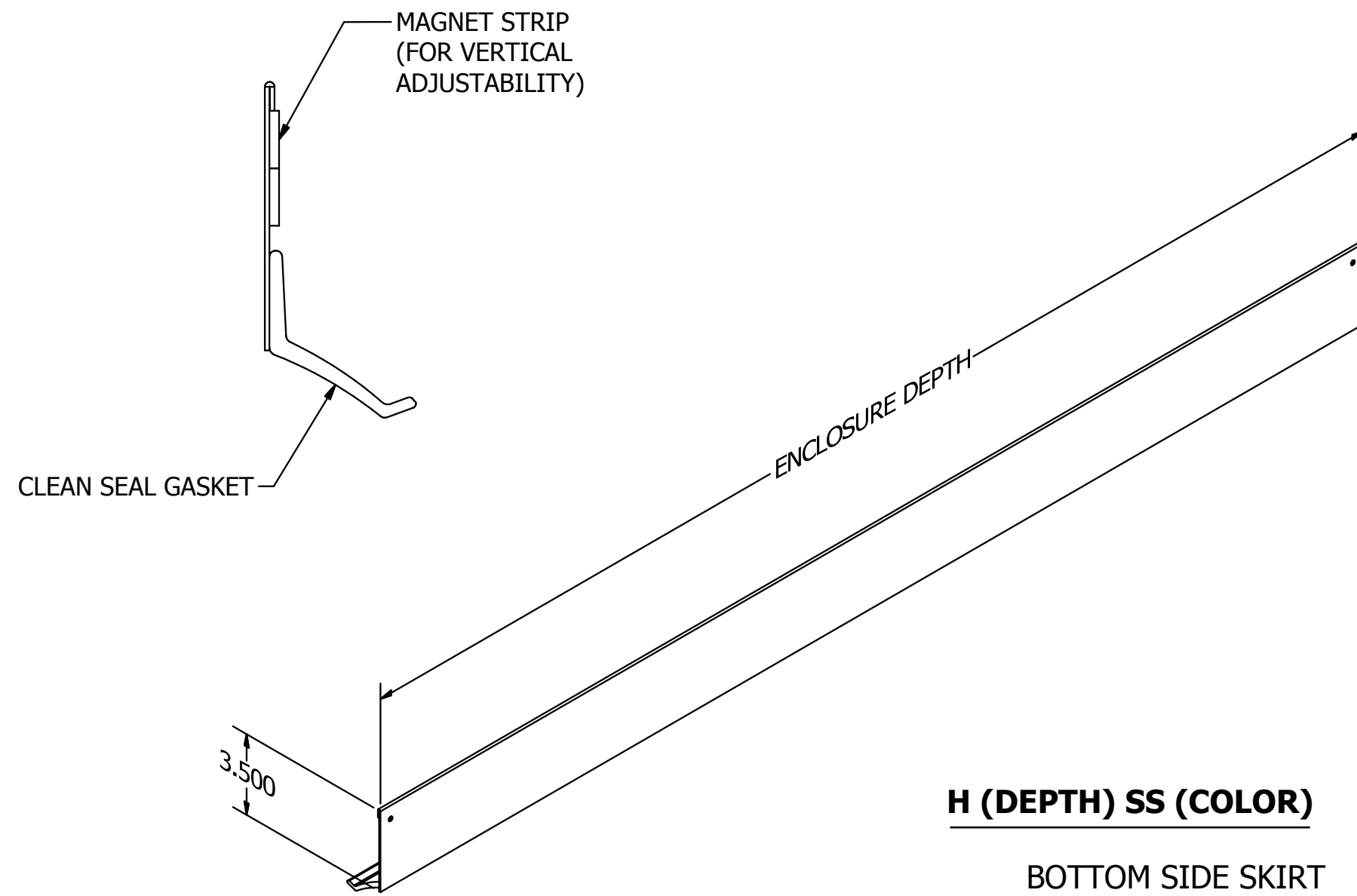


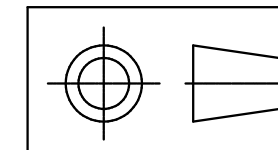
**H - (WIDTH) - BS - (COLOR)**  
 BOTTOM SKIRT - FRONT OR REAR  
 WIDTH - 24 - 30 - 40 CABINET WIDTH  
 COLOR - 01 BLACK  
 - 02 WHITE

**EXAMPLE: H24BS01**



**H (DEPTH) SS (COLOR)**  
 BOTTOM SIDE SKIRT  
 DEPTH - 30 - 36 - 42 - 48 CABINET DEPTH  
 COLOR - 01 BLACK  
 - 02 WHITE

**EXAMPLE: H30SS01**



<b>BELDEN</b>			
<small>THIS DRAWING AND ALL INFORMATION CONTAINED HEREIN IS THE PROPERTY OF BELDEN. ANY USE, COPY OR REPRODUCTION OF THIS MATERIAL WITHOUT WRITTEN PERMISSION OF BELDEN IS PROHIBITED</small>			
XHM / XHS SERIES MASTER			
HYBRID SERIES ACC - ADD'L ACCESSORIES			
APPROVED BY: RCG			
APPROVAL DATE: 9/29/16			
UNITS: INCH	SH 5 of 7	C	<b>SUBMITTAL</b>
SCALE: 3:32	DATE: 9/29/2016		