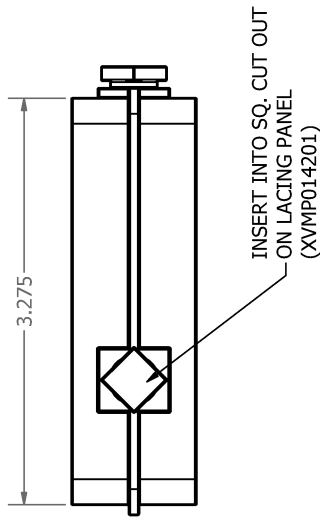
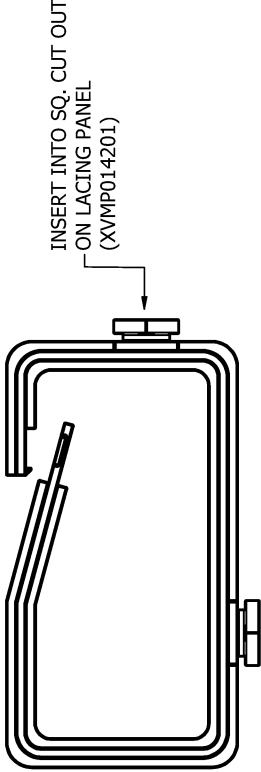
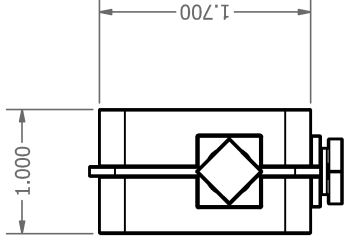
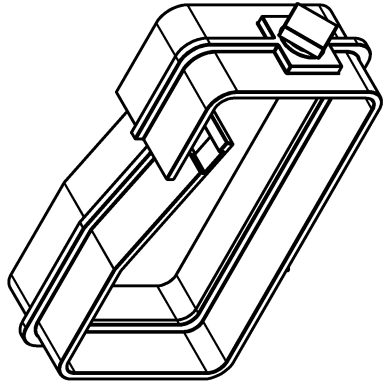


1 2 3 4



NOTES:

- 1) COLOR: BLACK
- 2) MATERIAL: PLASTIC
- 3) PACKAGED 5 PER KIT

**BELDEN**

THIS DRAWING AND ALL INFORMATION CONTAINED HEREIN IS THE PROPERTY OF BELDEN. ANY USE, COPY OR REPRODUCTION OF THIS MATERIAL WITHOUT WRITTEN PERMISSION OF BELDEN IS PROHIBITED.

XMR01 - TOOLESS PLASTIC RING MANAGER

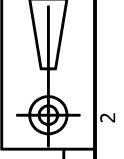
APPROVED BY: RCG DRAWING AUTHOR: RCG

APPROVAL DATE: 4-25-13

UNITS : INCH Sheet 1 of 1

SCALE: 1:1 DATE: 4/25/2013

**SUBMITTAL**



DATE

BY

DESCRIPTION

REV

1 2 3 4