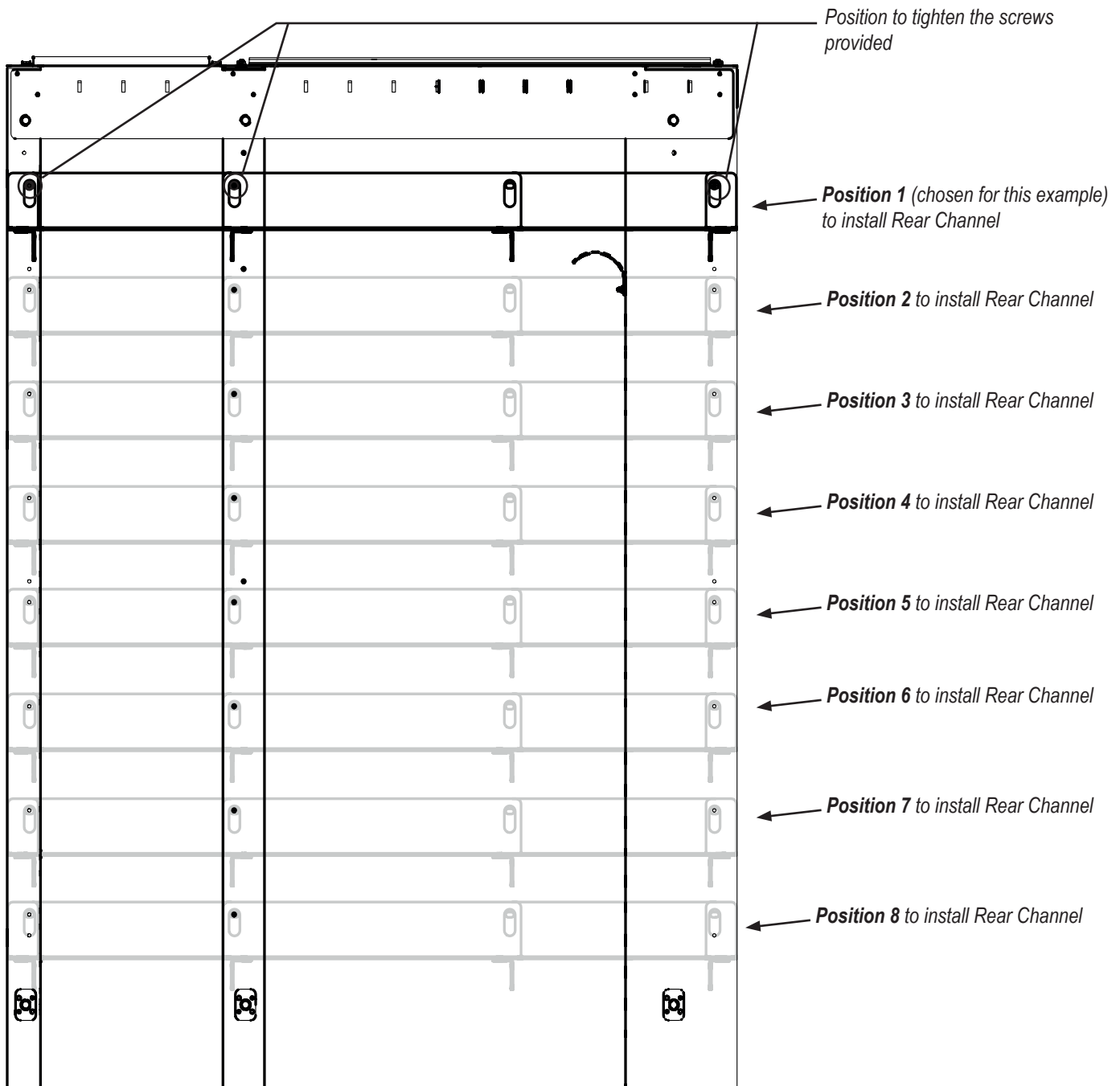


i Before proceeding with the installation of the Rear Channel Kit, make sure to install (or determine the position of) the DCX Housings that will be used into the Cabinet. For more information concerning on how to install the Housing, refer to the Quick Start Guide document **PX106859-EN** or visit our website at: www.belden.com/dcx

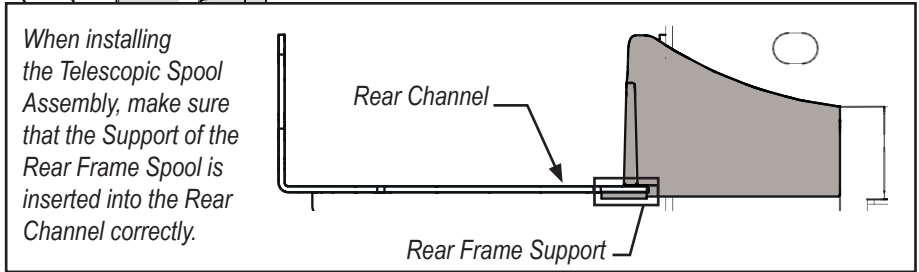
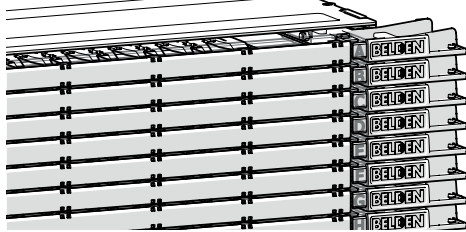
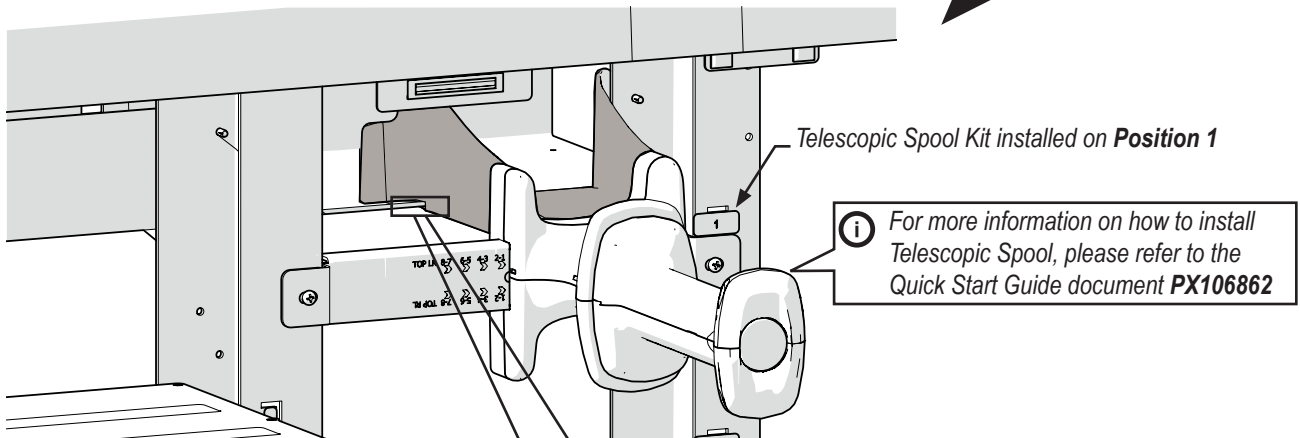
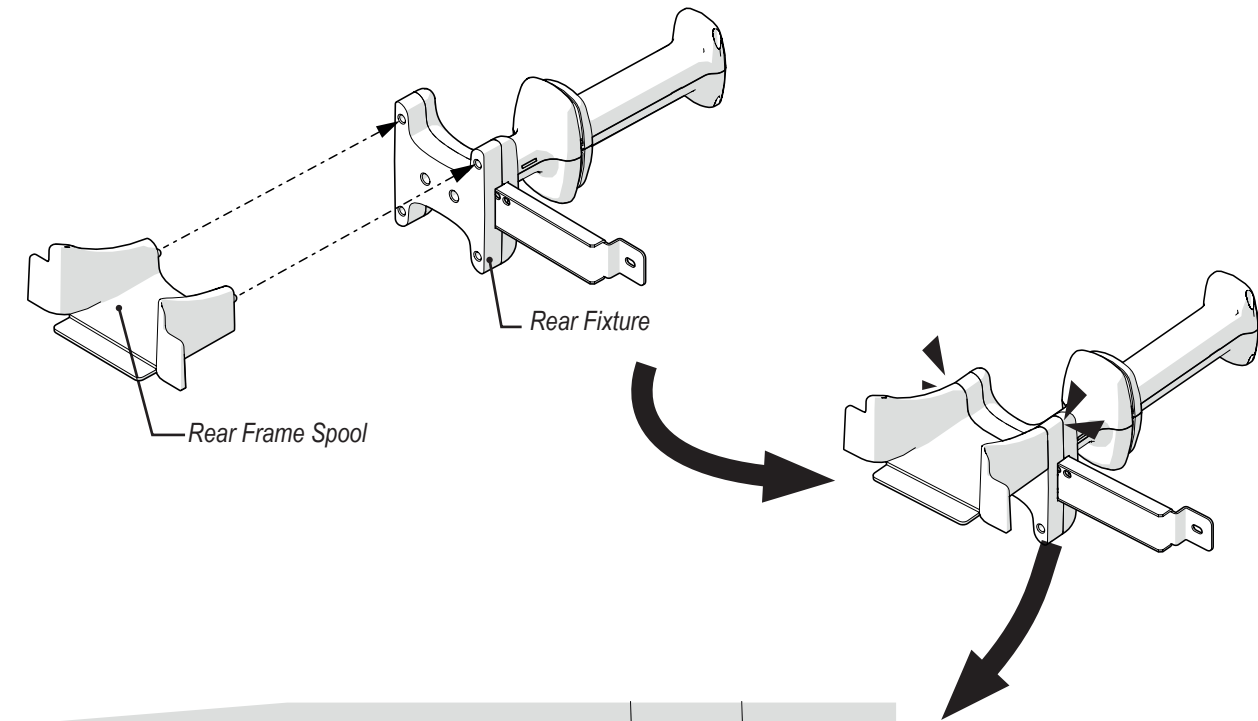
Rear Channel kit installation

1. Depending on the cable flow of the Cabinet used, select the required Rear Channel Kit:
 - For the left to right Cabinet (**LR**), the Rear Channel Kit to install is **DCX-HRRC-LR01**
 - For the right to left Cabinet (**RL**), the Rear Channel Kit to install is **DCX-HRRC-RL01**
2. On the Housing installed determine the position to place the Rear Channel.
Place the Rear Channel to the associated position and secure the Rear Channel with the (3) provided screws.

Rear of the Cabinet, Housings are not shown on this image



3. At the rear of the Telescopic Spool, align the pins of the Rear Frame Spool with the Rear Fixture positioning holes. Make a slight push to attach the Rear Frame Spool to the Telescopic Spool. Install the Telescopic Spool Assembly into the Cabinet.



DCX XConnect Rear Channel - Quick Start Guide
PX106860 - EN REV C

This document is also available at our microsite:

www.belden.com/dcx

For more information about BELDEN Technical support, call:

1-800-BELDEN-1

Scan this QR code to access more technical information of our products and get constant updates



BELDEN