

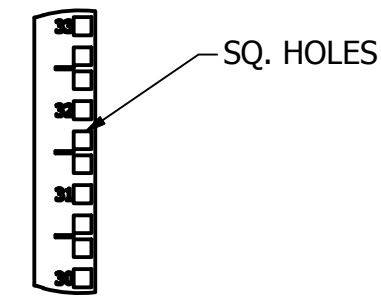
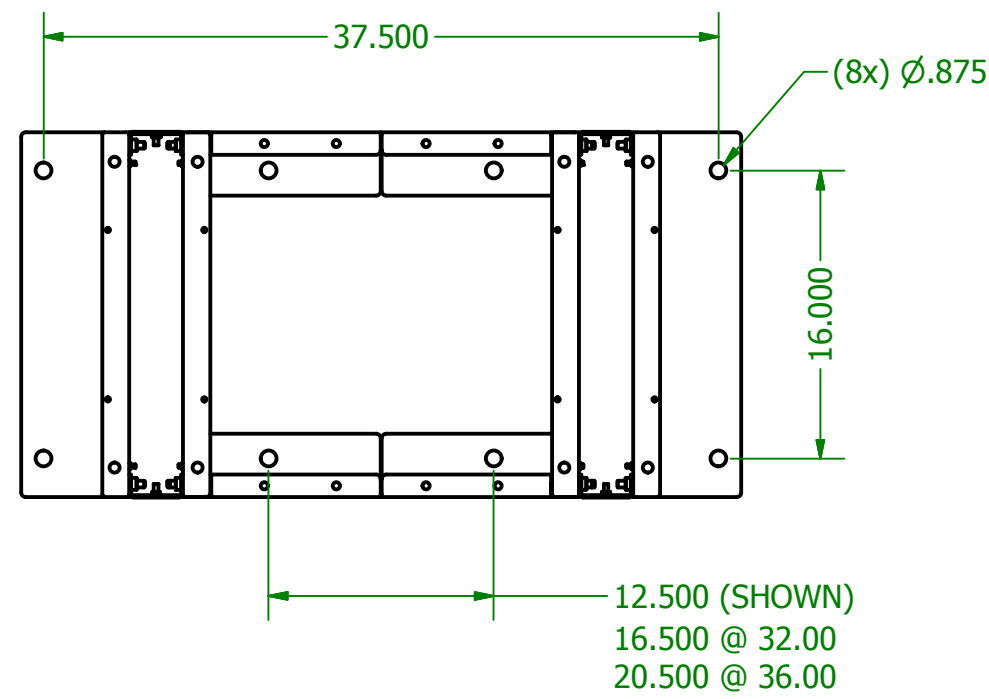
XDR SERIES RACK SYSTEM XDR8419-3M62836

- 45U (84.00h x 20.31w) ADJUSTIBLE DEPTH
  - @ 28.00 BETWEEN POST TOTAL DEPTH - 40.00
  - @ 32.00 BETWEEN POST TOTAL DEPTH - 44.00
  - @ 36.00 BETWEEN POST TOTAL DEPTH - 48.00

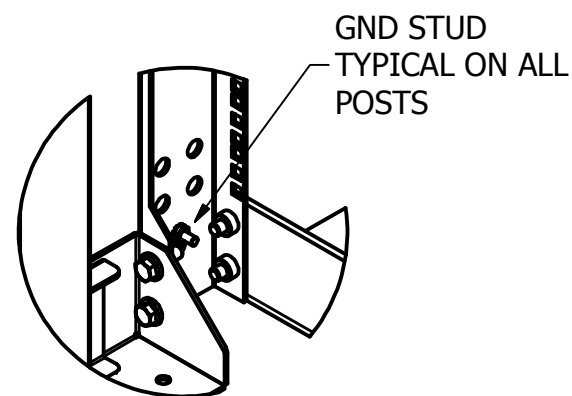
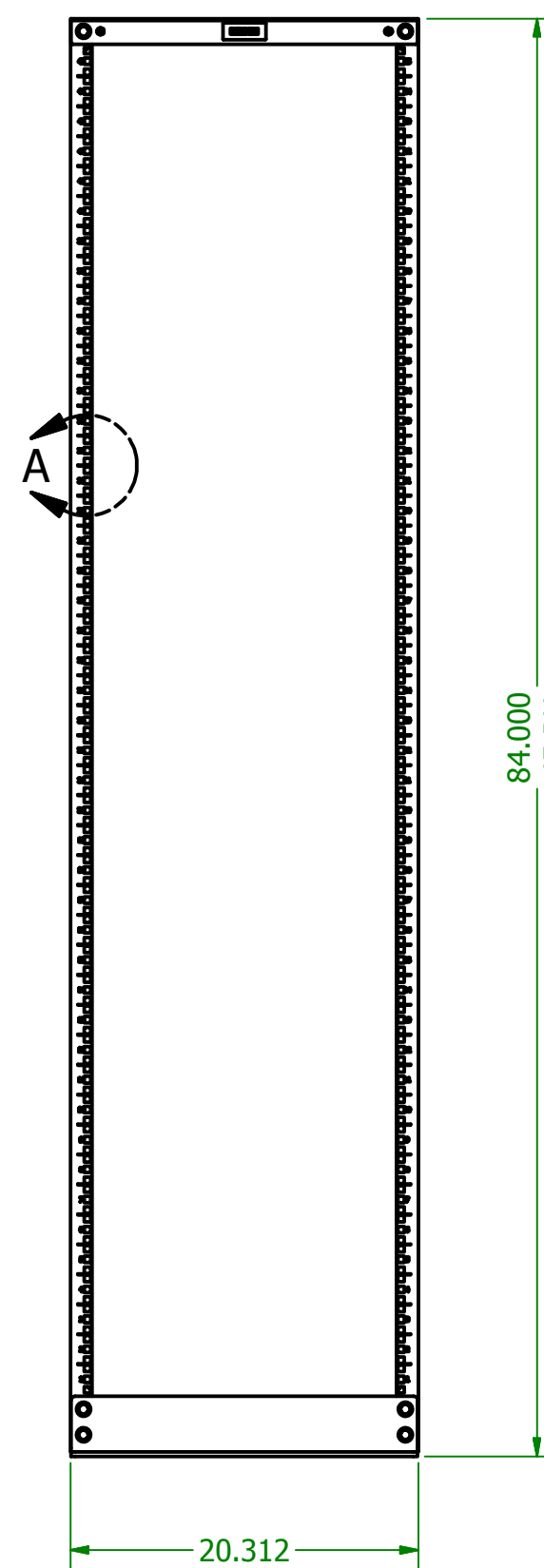
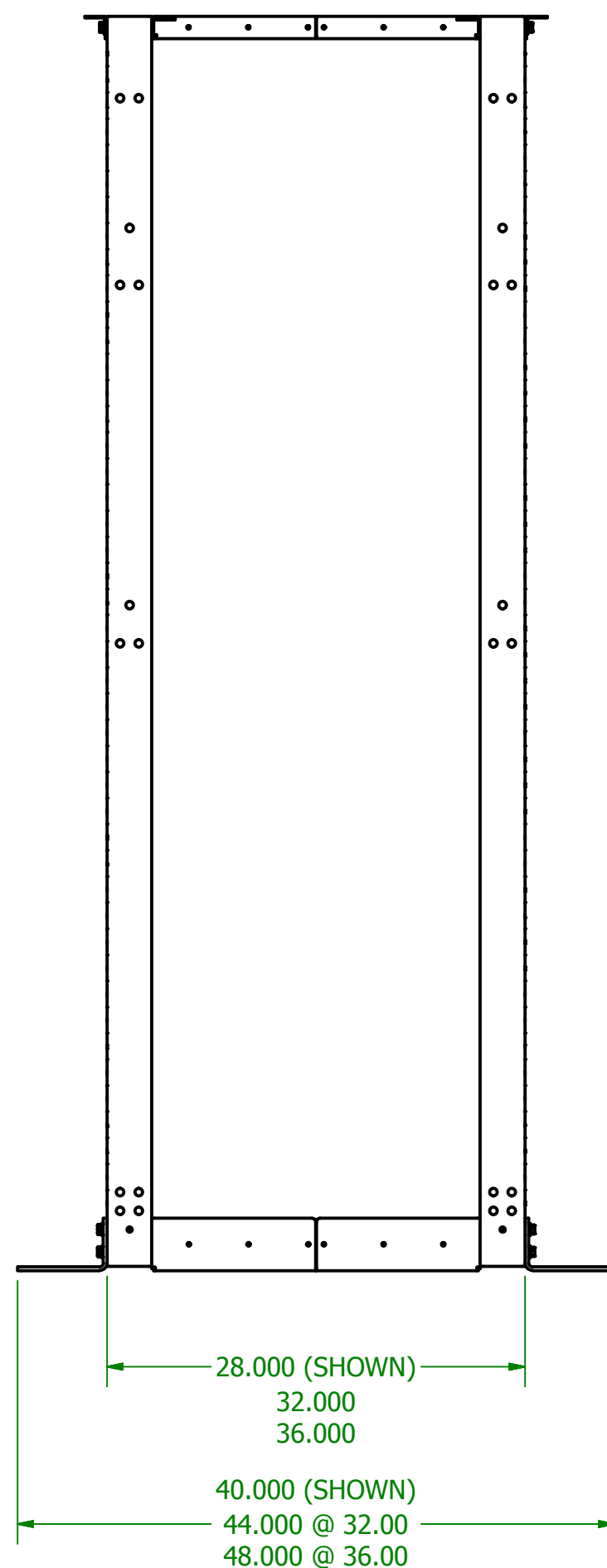
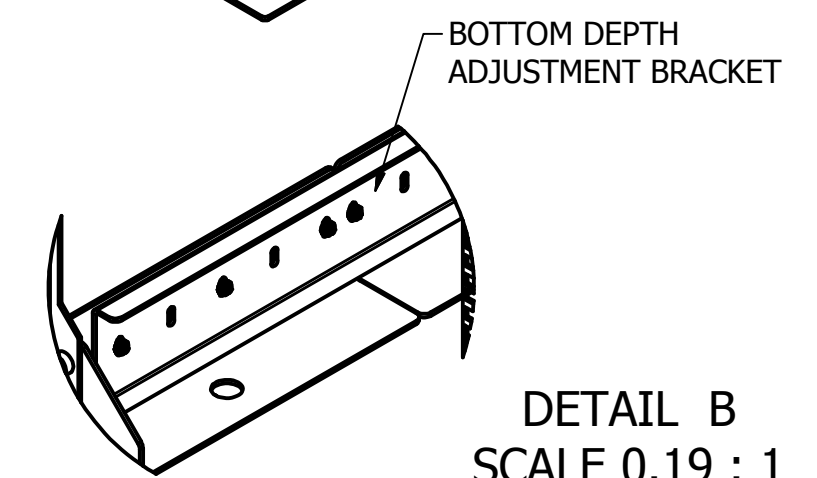
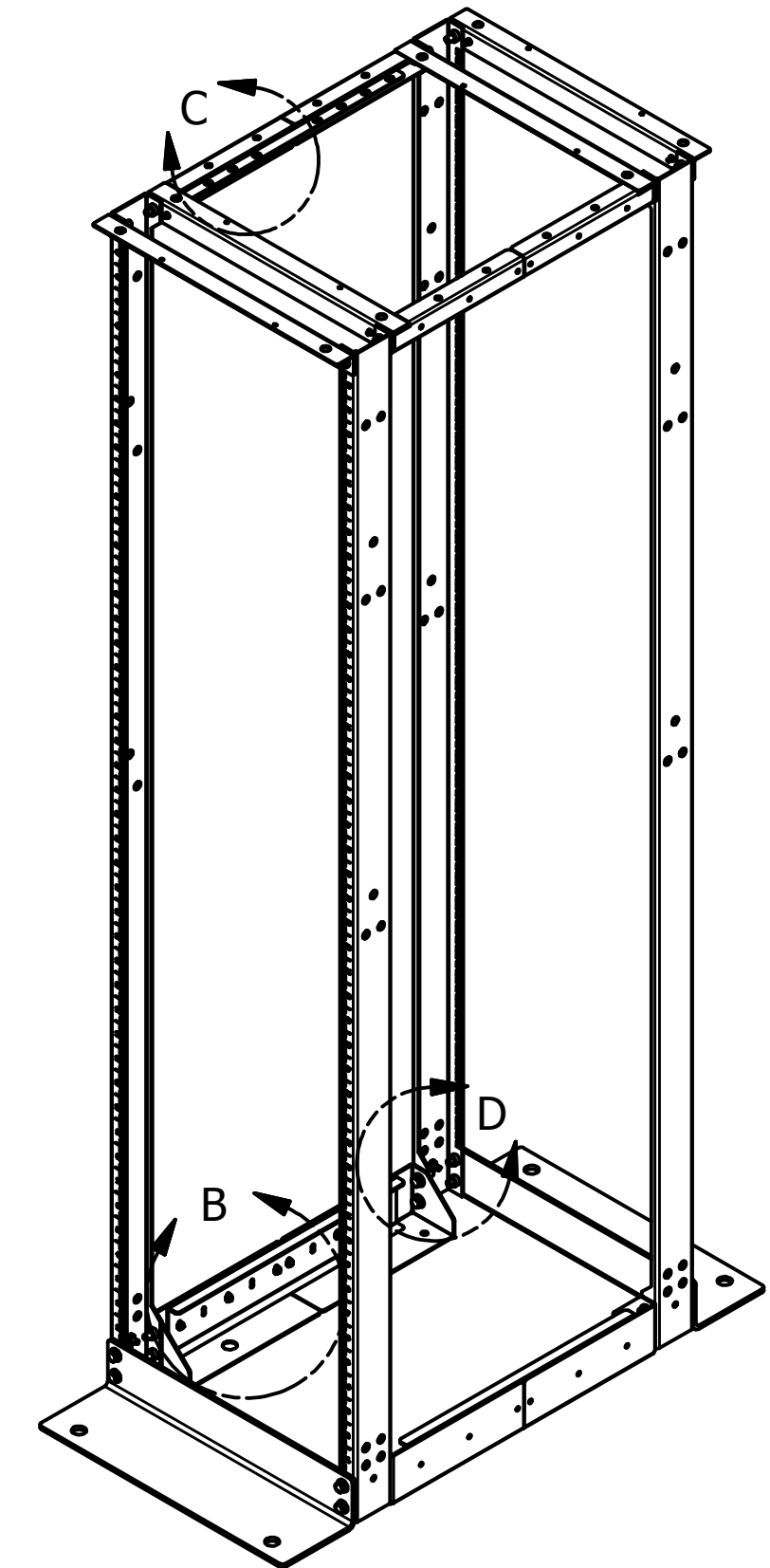
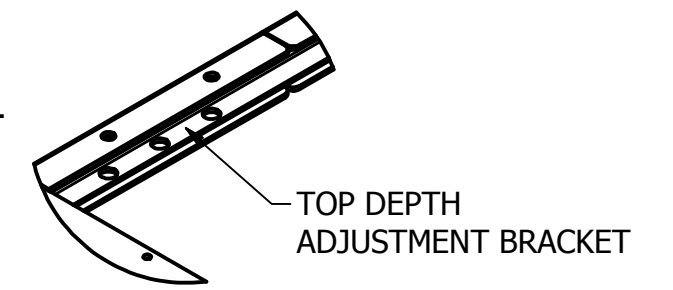
- BOLT TOGETHER CONSTRUCTION

- 19" RACK SPACING TO EIA-310 REQUIREMENTS
- 45U SQUARE HOLE PATTERN FOR M6 CLIP NUTS
- (50) M6 MOUNTING HARDWARE INCLUDED
- NUMERICAL MARKINGS FOR EACH RACK UNIT w/ UNIT 1 STARTING @ BOTTOM

- COLOR: BLACK



DETAIL C  
SCALE 0.19 : 1



DETAIL D  
SCALE 0.19 : 1

**BELDEN**

THIS DRAWING AND ALL INFORMATION CONTAINED HEREIN IS THE PROPERTY OF BELDEN. ANY USE, COPY OR REPRODUCTION OF THIS MATERIAL WITHOUT WRITTEN PERMISSION OF BELDEN IS PROHIBITED.

XDR SERIES RACK / XDR8419-3M62836

APPROVED BY: RCG DRAWING AUTHOR: RCG

APPROVAL DATE: 7-24-14

UNITS: INCH Sheet 1 of 1 C

SCALE: 3:32 DATE: 7/24/2014

**SUBMITTAL**

REV	DESCRIPTION	BY	DATE