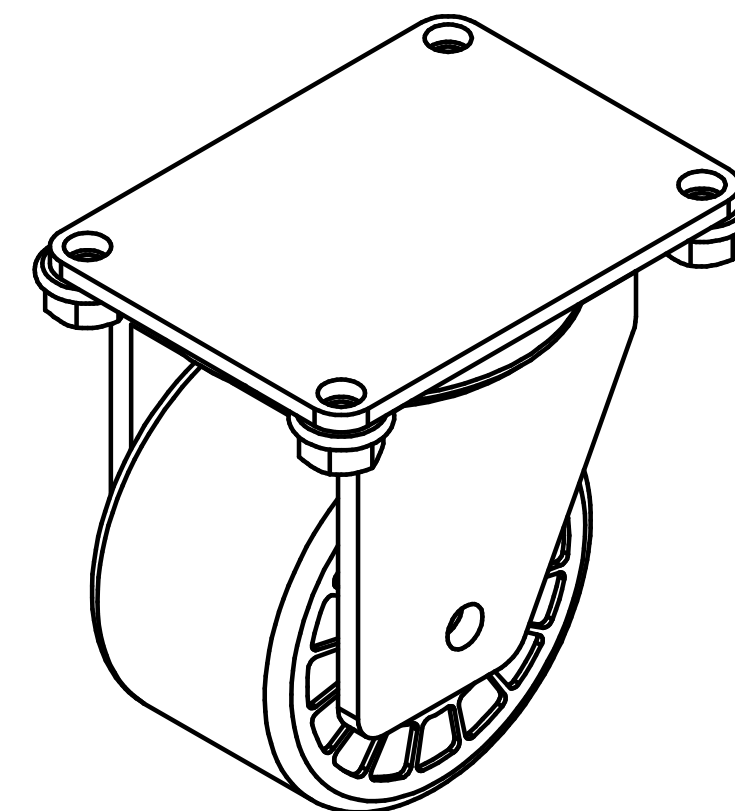


XCK01

REGULAR CAPACITY SWIVEL CASTER EQUIPMENT LOAD (1080 LBS)
 STANDARD ON ALL ENCLOSURES.
 SOLID IN A SET OF 4



XCK02

HIGH CAPACITY SWIVEL CASTER EQUIPMENT LOAD (2250 LBS)
 AVAILABLE UPON REQUEST
 SOLD IN A SET OF 4

BELDEN

THIS DRAWING AND ALL INFORMATION CONTAINED HEREIN IS THE PROPERTY OF BELDEN. ANY USE, COPY OR REPRODUCTION OF THIS MATERIAL WITHOUT WRITTEN PERMISSION OF BELDEN IS PROHIBITED

XHM / XHS SERIES MASTER

HYBRID SERIES ACC - ADD'L ACCESSORIES

APPROVED BY: RCG

APPROVAL DATE: 9/29/16

UNITS: INCH SH 4 of 7 C

SCALE: 3:32 DATE: 9/29/2016

SUBMITTAL

