

PB 493

**Snap-N-Seal®
“F” Series Male Two-Piece
Compression Connectors**

Belden Snap-N-Seal® Two-Piece Compression Connectors for plenum cable applications.



Through a unique 360° compression process, Snap-N-Seal® connectors also offer the signal leakage protection required for today's systems.

- Connectors manufactured from high quality brass, NiTin plated for maximum corrosion resistance.
- Design incorporates UV resistant plastic and O-rings.
- 1/4"-1/4" cable preparation is standard.
- Multiple tool options make installation fast, easy and reliable.
- Designed for these plenum cables:
 - Belden 9116P
 - Coleman 921007 and 921015
 - CommScope 2275K and 2275V
 - Tappan Wire and Cable P18SBCRG6X2
 - Times Fiber T6FEP60-VCP

Physical Properties

- Nut, Post and Collar: Brass
- Nut and Collar Finish: NiTin Plated
- Post Finish: Tin Plated
- O-Rings: Ethylene Propylene

Electrical Properties

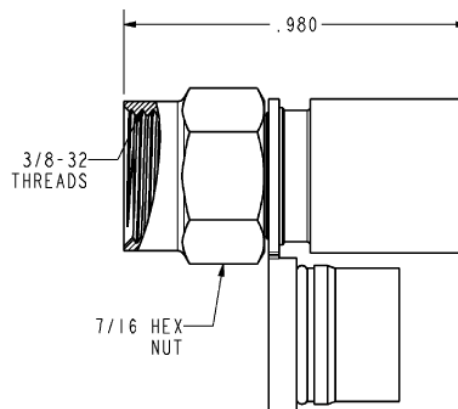
- Return Loss: ≥ -30 dB up to 1GHz Typical
- Insertion Loss: ≤ -0.2 dB up to 1GHz Typical
- RFI Shielding: -85 dB Typical (60% Bonded Foil)

Mechanical Properties

- Cable Retention: Cable dependent; typically 40 lbs. minimum
- Cable Insertion Force: Cable dependent; typically 20 lbs. maximum

Environmental Properties

- Temperature Rating: -40° F (-40° C) to 140° F (60° C)



Part Number	Post I.D. (in.)	Sleeve I.D. (in.)	Sleeve Color	Tool†	Inner Pack	Outer Pack
SNS6PLA	.191	.253	Orange	1+2 or 3	50	1000

†Tool: 1 = CST596596 or CST596711; 2 = SNSUTL; 3 = IT1000